

SARAYA Automatic Hand Sanitizer

HDI-2002



SARAYA

Fast and Complete Hand Sanitation

SARAYA Automatic Hand Sanitizer HDI-2002



Hand sanitation has never been so easy.

The motion-activated HDI-2002 automatically sprays quick-drying antiseptic onto your hands. rubbing your hands together for a few seconds evenly spread the solution, leaving your hands completely sanitary.

The Jet-Spray Hand Sanitizer sanitizes your hands as swiftly and thoroughly as possible.

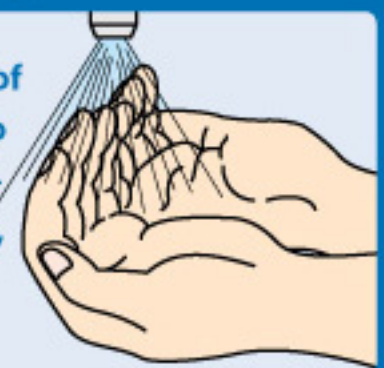
The key factor in controlling infection is proper hand sanitation. SARAYA's Automatic Hand Sanitizer is specially designed with a pressurized spray to administer the right amount of antiseptic onto the hands. Problems such as the deterioration of the cleaning solution and cross-contamination through towels and surfaces, common issues with traditional handwashing are no longer a concern.

The CDC (Centers for Disease Control and Prevention) guidelines strongly recommend alcohol-based hand disinfectants.

*CDC Guideline for Hand Hygiene in Healthcare Settings
CDC.MMWR:51(RR-16),2002

"The jet-spray method"

A premeasured amount of sanitizer is jet-sprayed to sanitize the whole hand—including the fingernails, quickly and effectively.



Spraying angle and pressure have been calibrated for optimal sanitation.



Features

Easy Setup and Adjustment



Spraying time setting can be adjusted using the setting switch.



Pressing the setting switch changes the antiseptic spray time from 2 to 5 sec. In accordance with the setting, the spray time indicator lamps light up or blink.

Spray time indicator lamp lights up or blink green during operation

The indicator lamp flashes sequentially to display time left until dispensing is completed.

Tough and Stout Stainless Steel Body

The stainless steel body has strong chemical resistance and is easy to maintain.

Optional parts



Stand



Auto-door Connecting Device



Wall Mounting Holder

Other features

1. Lock key: prevents vandalism or unauthorized access.
2. Tray: can be removed for washing and cleaning.
3. The supply Indicator lights up when the sanitizing solution is depleted.

Refilling the unit

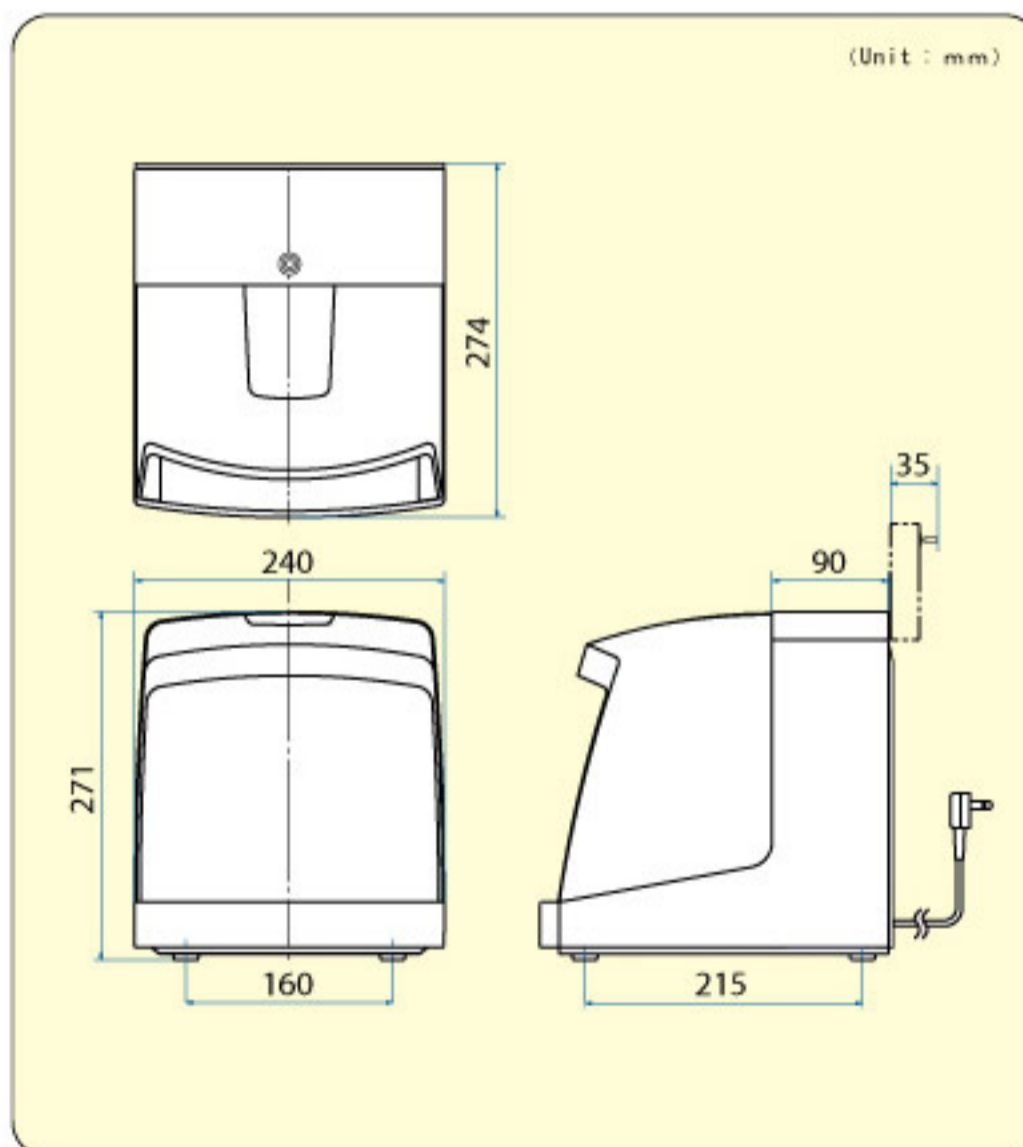
The supply indicator lamp lights up when the antiseptic in the cartridge bottle runs short. Open the cover and remove the cartridge bottle. Refill with the specified antiseptic, securely tighten the cap, and return the cartridge bottle to the unit.



Specifications

Model	HDI-2002
Power supply	AC100-240V, 50/60Hz
Power consumption	When on standby: Max 8W When operated: Max 16W
Spray rate	Approx. 1mL/sec.
Antiseptic cartridge bottle	Special-purpose cartridge bottle with 1L capacity
Dimensions	240W × 271H × 274D(mm)
Weight	3kg (excluding antiseptic, accessories, etc.)
Included accessories	Cover lock key (2pcs.), grounding wire (2m) Instruction manual

Dimensions



Specifications are subject to change at any time without prior notice for improvement.

SARAYA CO., LTD.

2-2-8 Yuzato, Higashiumiyoshi-ku, Osaka 546-0013 Japan
Phone: +81-6-6703-6556 Fax: +81-6-6703-4466
E-mail: hands@saraya.com URL: www.saraya.com

Distributor