

To fight against infectious disease and food-borne illness within the Healthcare and Food Industries.

**BATTERY OPERATED  
TOUCH-LESS  
DISPENSER**

# UD-1000

## Features :

### 1 Fully automatic, completely touch-free.

Without handling anything, the unit detects your hand and dispenses chemicals (soap/sanitizer).

### 2 Operated with (4) D-cell alkaline batteries.

The estimated lifetime of the batteries is one year and brand-new batteries can operate the unit more than 100,000 times continuously. (Tested with soap.)

### 3 For installation virtually anywhere.

Wall-mount and stand alone options are available.

### 4 Applicable to various chemicals.

Soaps and sanitizers can be used for various application.



**SARAYA**

# FEATURES

## ● Fully Automatic, Completely Touch-Free

Without handling anything, the unit detects your hand and dispenses automatically a pre-measured application of pre-measured soap or sanitizer.

## ● LED Lamp

The LED lamp blinks in red when the battery is low. The lamp lights up in green when the unit is operating.

## ● Sensor Volume Switch

The sensor detecting area can be adjusted with sensor volume switch.

## ● Window for Checking Liquid Levels

The transparent window enables you to see and check the level of liquid without opening the front cover.

## ● Applicable to Various Kinds of Chemicals

Not only soap, but sanitizer can be used with the unit by utilizing a soap or alcohol pump.

## ● Lock Key

The lock prevents foreign materials come and mix in the chemicals.

## ● Mode Setting

You can select one dispense per detection or two dispenses per detection with mode switch.

## ● No Electricity Supply is Necessary.

(4) new D-cell alkaline batteries can operate the unit more than 100,000 times continuously.

## ● For Installation at Anywhere

Utilizing (4) D-cell alkaline batteries, the dispenser can be placed virtually anywhere, featuring a wall-mount or stand alone option.

## ● Safe Switch

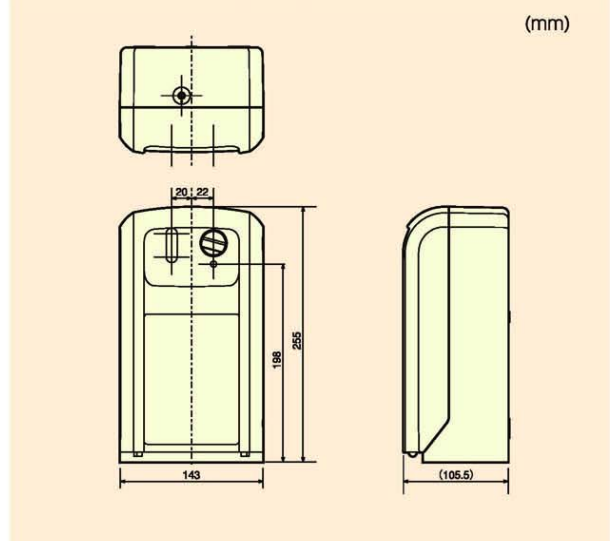
The safe switch prevents the unit dispense liquid when the front cover is opened.



# SPECIFICATIONS

PRODUCT NAME	Touch-Less Dispenser
MODEL	UD-1000
DIMENSIONS	W144mm×D106mm×H255mm
WEIGHT	740g (excluding chemicals, included accessories, etc.)
MATERIALS	Front Cover : ABS Body : ABS Window : PP Tray : PP
POWER SOURCE	(4)D-cell alkaline batteries
CARTRIDGE BOTTLE	1 liter

# DIMENSIONS



Specifications are subject to change at any time without prior notice for improvement.